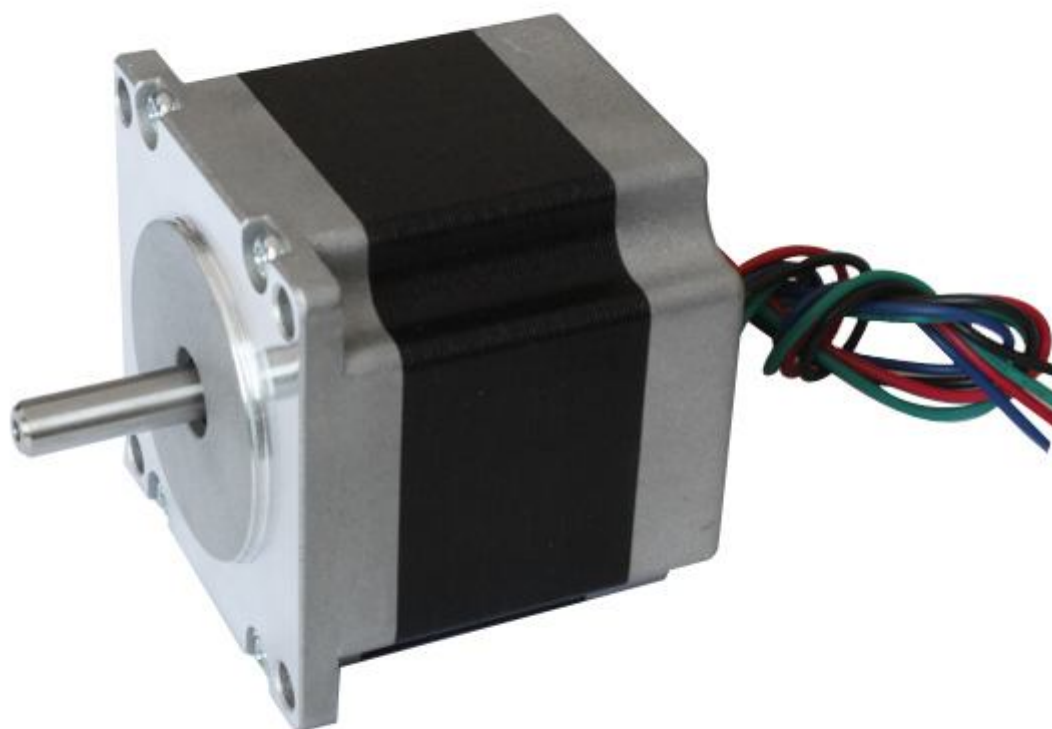


**1.8° 57mm 2phase Square hybrid stepper motor NEMA23/ 24v stepper motor/ 1.9N.M step motor /2.8N.m high torque nema23 hybrid stepping motor/ 1.2N.m stepping motor with CE certification**



**2.**

Place of Origin:	Changzhou, China
Brand Name:	JK
Model Number:	JK57HS,57BYGH
Certification:	CE,ROHS ,ISO9001

**3.**

Minimum Order Quantity:	1PCS~5PCS
Price:	US\$5~US\$20
Packaging Details:	EXPORT CARTON

Delivery Time:	FOR SAMPLES , 7-10 days For batch . 15-25days.
Payment Terms:	T/T,L/C, PAYPAL, Western union,
Supply Ability:	100000pcs/month

#### 4.

##### Description:

NEMA23 stepping motor , 57mm square stepper motor .

1.5N.m Stepper motor , high torque stepper motor with 57mm size .

1.8N.m stepping motor ,

##### Applications:

Use for robots stepper motor, electronic automatic equipment stepping motor ,  
medical instrument stepping motor,

advertisement instrument stepper motor, lighting& audio equipment stepper  
motor ,printer stepper motor, textile machinery stepper motor.

Cnc router stepper motor.

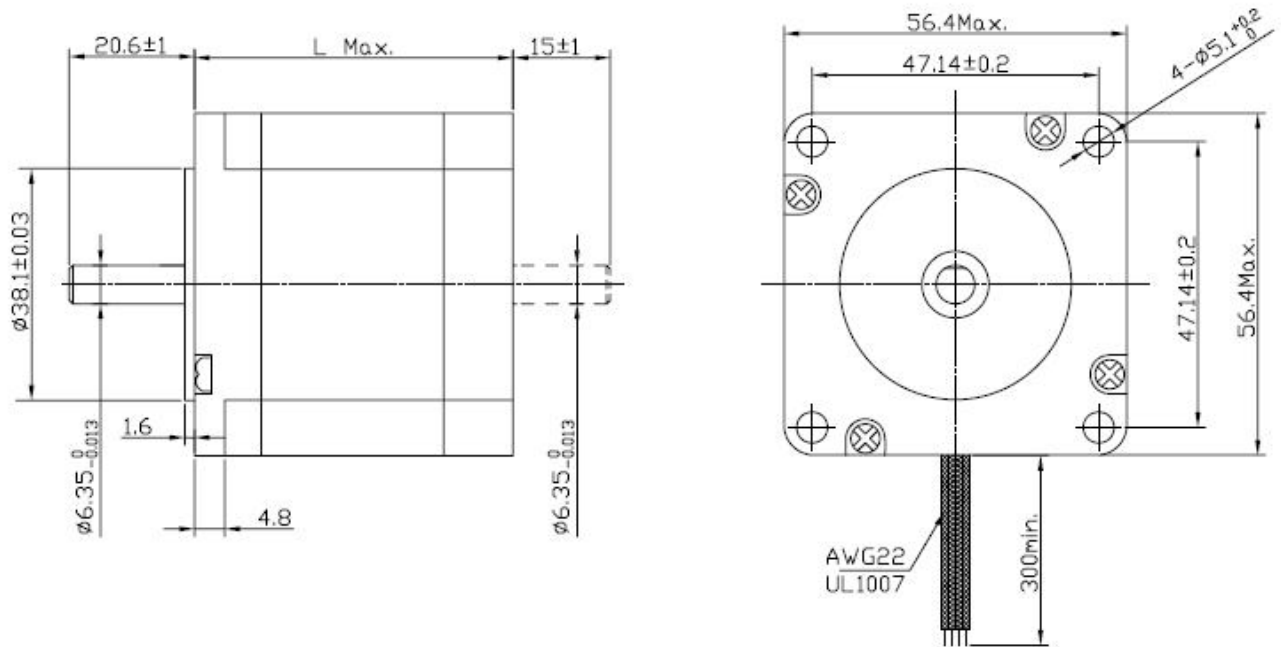
##### Specifications:

Model No.	Step Angle	Motor Length	Current /Phase	Resistance /Phase	Inductance /Phase	Holding Torque	# of Leads	Detent Torque	Rotor Inertia	Mass
	( ° )	(L)mm	A	Ω	mH	N.m	No.	g.cm	g.cm <sup>2</sup>	Kg
JK57HS41-1006	1.8	41	1	5.2	5.5	0.39	6	250	150	0.47
JK57HS41-2006	1.8	41	2	1.4	1.4	0.39	6	250	150	0.47
JK57HS41-3006	1.8	41	3	0.63	0.6	0.39	6	250	150	0.47
JK57HS41-2804	1.8	41	2.8	0.7	1.4	0.55	4	250	150	0.47
JK57HS51-1006	1.8	51	1	6.6	8.2	0.72	6	300	230	0.59
JK57HS51-2006	1.8	51	2	1.65	2.2	0.72	6	300	230	0.59
JK57HS51-3006	1.8	51	3	0.74	0.9	0.72	6	300	230	0.59
JK57HS51-2804	1.8	51	2.8	0.83	2.2	1.01	4	350	280	0.68
JK57HS56-1006	1.8	56	1	7.4	10	0.9	6	350	280	0.68
JK57HS56-2006	1.8	56	2	1.8	2.5	0.9	6	350	280	0.68
JK57HS56-3006	1.8	56	3	0.75	1.1	0.9	6	350	280	0.68
JK57HS56-2804	1.8	56	2.8	0.9	2.5	1.26	4	350	280	0.68
JK57HS76-1006	1.8	76	1	8.6	14	1.35	6	600	440	1.1
JK57HS76-2006	1.8	76	2	2.25	3.6	1.35	6	600	440	1.1
JK57HS76-3006	1.8	76	3	1	1.6	1.35	6	600	440	1.1
JK57HS76-2804	1.8	76	2.8	1.13	3.6	1.89	4	600	440	1.1
JK57HS82-3004	1.8	82	3.0	1.2	4	2.2	4	1000	600	1.2

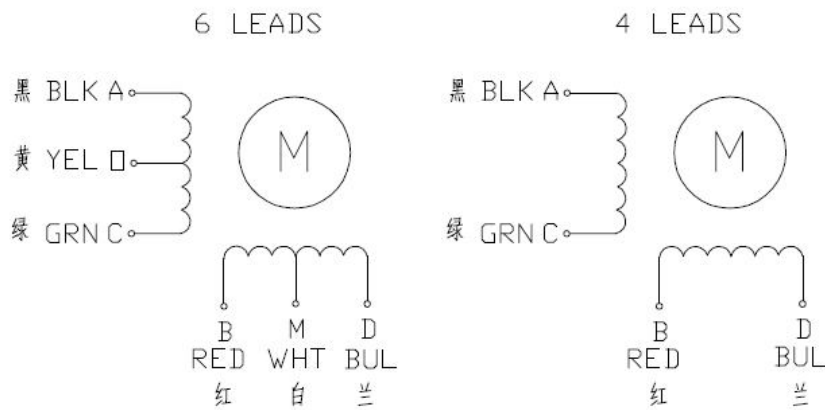
JK57HS82-5004	1.8	82	5	0.6	1.5	2.2	4	1000	600	1.2
JK57HS112-3004	1.8	112	3.0	1.6	6.8	2.8	4	1200	800	1.4
JK57HS112-4204	1.8	112	4.2	0.9	3.8	2.8	4	1200	800	1.4

**Dimensions:**

(Unit=mm)



**Wiring Diagram:**



**Matching Stepper motor Driver: JK1545, JK0230**